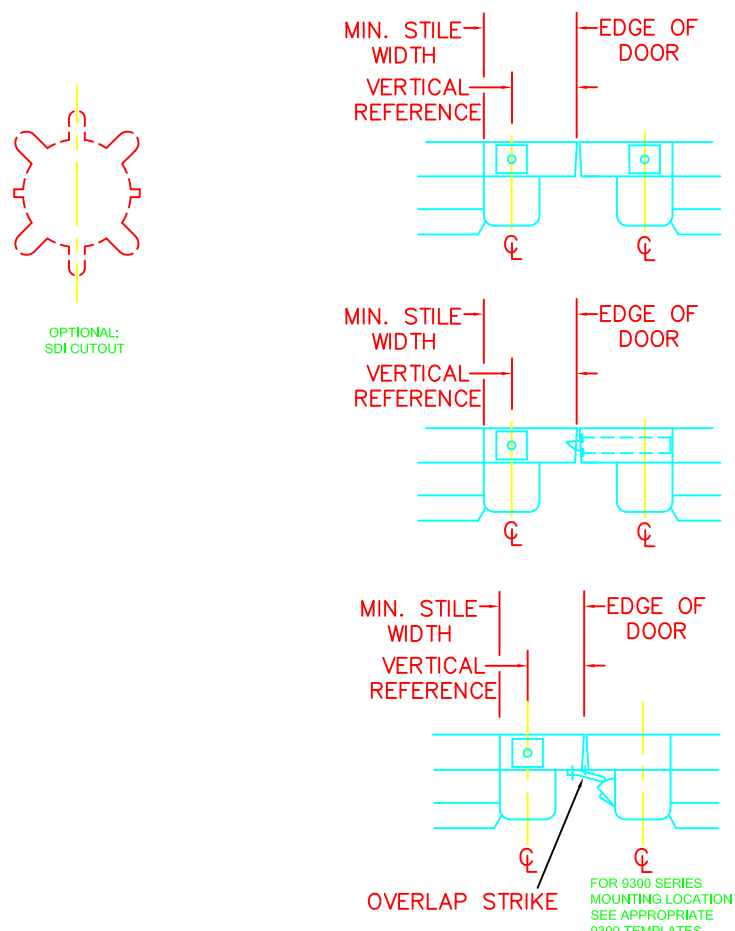
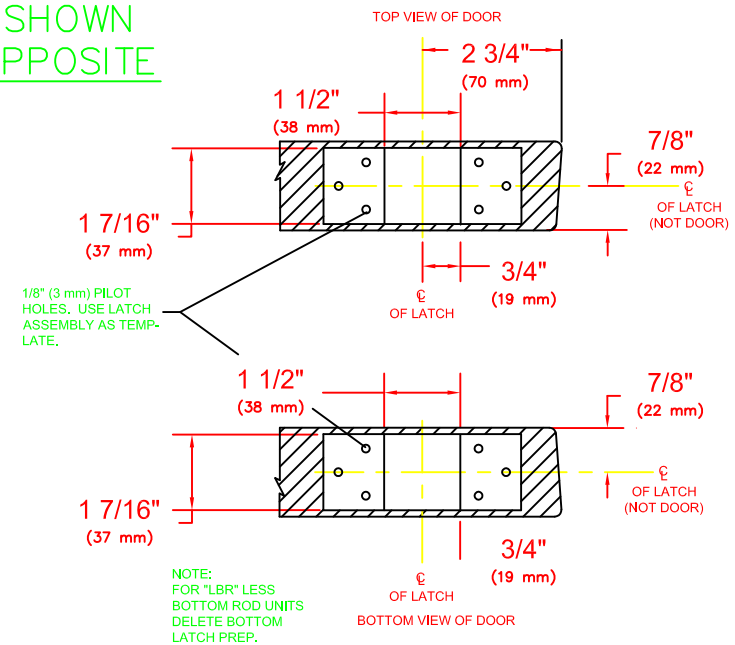
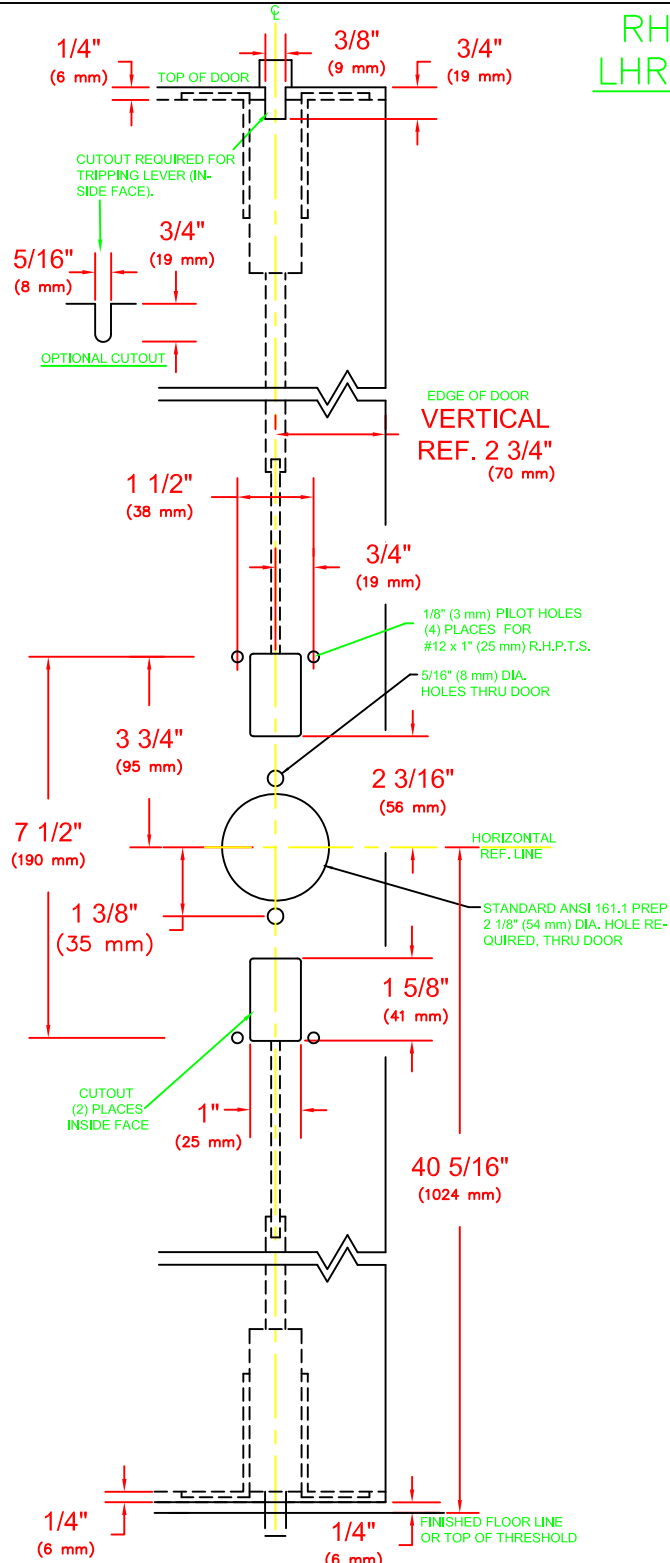


RHR SHOWN
LHR OPPOSITE



NOTES:

1. SEE T-9118WD FOR ROUTING INSTRUCTIONS.
2. SEE ADDITIONAL TRIM TEMPLATE WHEN REQUIRED.
3. SEE ADDITIONAL TEMPLATES FOR FIRE CHANNEL EDGE PREP.
4. DEVICE WILL COVER STANDARD SDI CUTOUT.

| VERTICAL REFERENCE | MINIMUM STILE WIDTH |
|--------------------|---------------------|
| 2 3/4" (70 mm) | 4 7/16" (113 mm) |

REV. No. 3

REVISION: Lever Style Notes

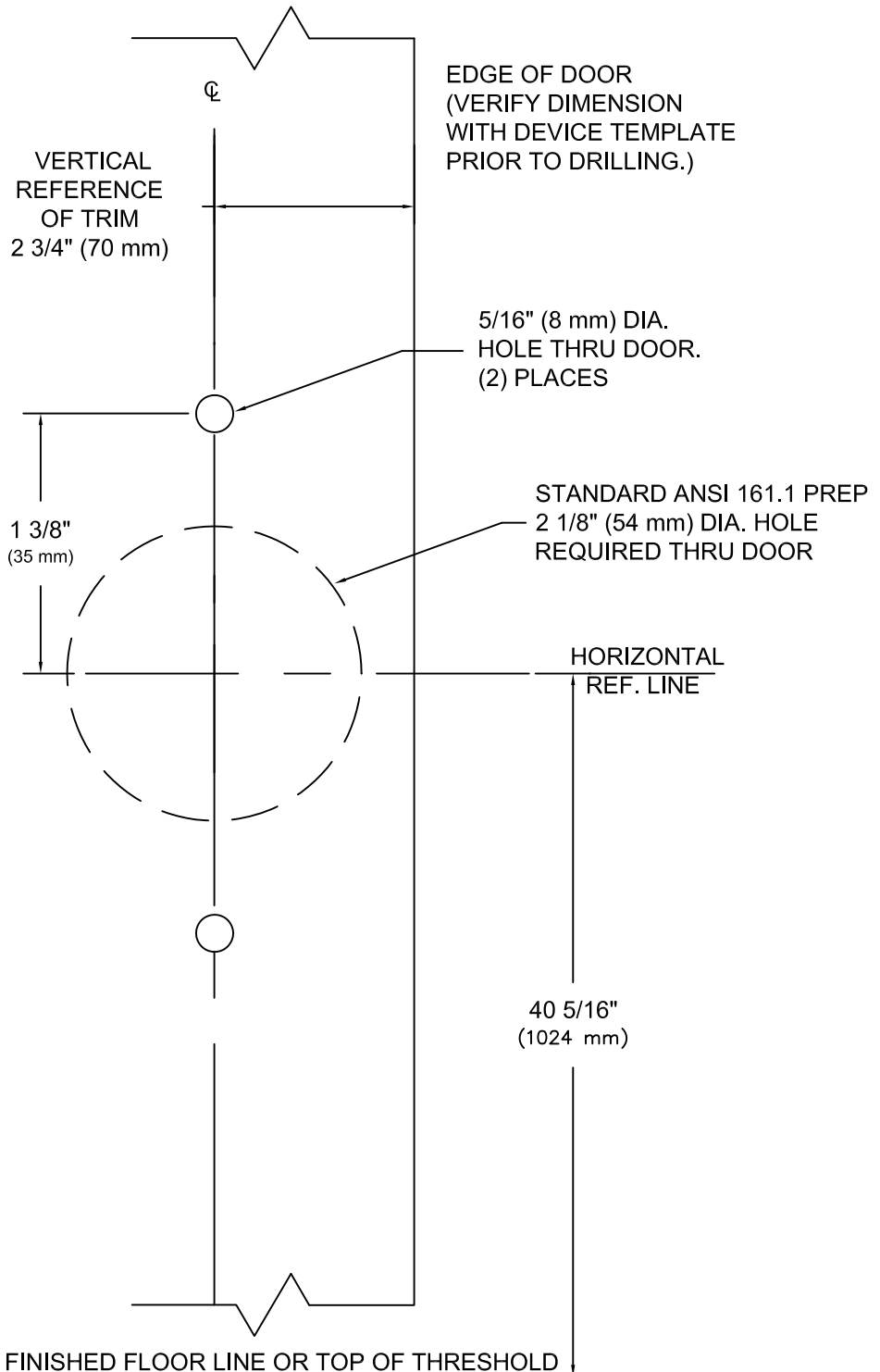
DATE: 1-27-2014



9100 & F9100 CONCEALED VERTICAL ROD (Wood Door) EXIT DEVICE WHEN USED WITH THE FOLLOWING TRIM
 9C03, 9R03, 9K03, 9C03IC, 9R03IC, 9K03IC
 9C08, 9R08, 9K08, 9C08IC, 9R08IC, 9K08IC
 9C23, 9R23, 9K23 LEVER TRIM

TEMPLATE NUMBER
 T-9126WD

RHR SHOWN
LHR OPPOSITE




NOT TO SCALE

NOTES:

FINISHED FLOOR LINE OR TOP OF THRESHOLD

1. SEE MASTER SHEET #T-0001 FOR SUGGESTED DOOR REINFORCEMENT.
2. SEE ADDITIONAL DEVICE TEMPLATE WHEN REQUIRED.
3. TRIM WILL COVER STANDARD SDI CUTOUT.

| | | |
|---|--|------------------------------------|
| REV. No. 1 | REVISION: ADD NEW BORDER | DATE: 11-05-14 |
|  | <p>9C03, 9R03, 9K03, 9C03IC, 9R03IC, 9K03IC, 9C08 9R08, 9K08, 9C08IC, 9R08IC, 9K08IC KEY IN LEVER TRIM 9C23, 9R23, 9K23 LEVER TRIM</p> | <p>TEMPLATE NUMBER T-9013①</p> |